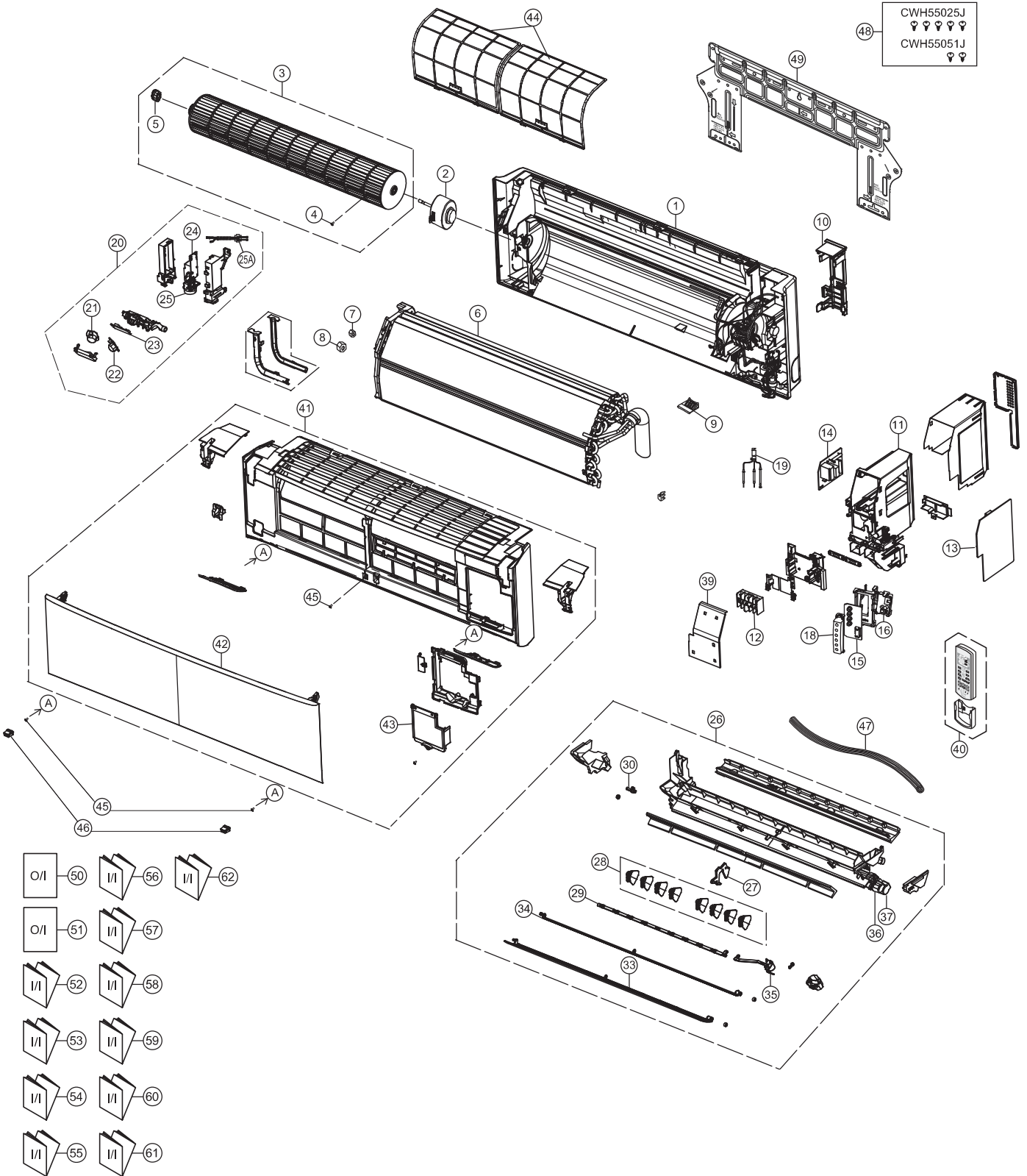


16. Exploded View and Replacement Parts List

16.1 Indoor Unit



Note
 The above exploded view is for the purpose of parts disassembly and replacement.
 The non-numbered parts are not kept as standard service parts.

SAFETY	REF. NO.	PART NAME & DESCRIPTION	QTY.	CS-MZ16TKE	REMARK
	1	CHASSIS COMPLETE	1	ACXD50C00200	
⚠	2	FAN MOTOR	1	L6CBYYYYL0175	O
	3	CROSS FLOW FAN COMPLETE	1	CWH02C1076	
	4	SCREW - CROSS FLOW FAN	1	CWH551146	
	5	BEARING ASSY	1	CWH64K1010	
	6	EVAPORATOR	1	CWB30C4659	
	7	FLARE NUT (LIQUID)	1	CWT251030	
	8	FLARE NUT (GAS)	1	CWT251031	
	9	PARTICULAR PIECE	1	CWD933067B	
	10	BACK COVER CHASSIS	1	CWD933233C	
	11	CONTROL BOARD CASING	1	ACXH10-00200	
⚠	12	TERMINAL BOARD COMPLETE	1	CWA28C2305	
⚠	13	ELECTRONIC CONTROLLER - MAIN	1	ACXA73C22010	O
⚠	14	ELECTRONIC CONTROLLER - (SUB)	1	ACXA73-04120	O
⚠	15	ELECTRONIC CONTROLLER - (DISPLAY)	1	ACXA73-08140	O
⚠	16	ELECTRONIC CONTROLLER - (RECEIVER)	1	CWA746916	O
	18	INDICATOR HOLDER	1	ACXD93-00930	
	19	SENSOR COMPLETE (PIPE & SUCTION TEMP CN-TH)	1	CWA50C2664	
	20	SENSOR COMPLETE (ECO)	1	ACXA50C00350	
⚠	21	ELECTRONIC CONTROLLER (ECO SENSOR1)	1	CWA745791	O
⚠	22	ELECTRONIC CONTROLLER (ECO SENSOR2)	1	CWA746206	O
⚠	23	ELECTRONIC CONTROLLER (COMPARATOR)	1	CWA747891	O
⚠	24	ELECTRONIC CONTROLLER - HVU	1	N0GE1E000006	O
	25	GENERATOR COMPLETE	1	CWH94C0056	O
	25A	LEAD WIRE - PCB ECO	1	ACXA60C02160	O
	26	DISCHARGE GRILLE COMPLETE	1	ACXE20C00920	
	27	FULCRUM	1	ACXH62-00040	
	28	VERTICAL VANE	8	CWE241457	
	29	CONNECTING BAR	1	CWE261314	
	30	CAP - DRAIN TRAY	1	CWH521259	
	33	VANE COMPLETE	1	ACXE24C01020	
	34	VANE COMPLETE	1	CWE24C1531	
⚠	35	FAN MOTOR ASSY	1	ACXA98K00020	O
⚠	36	A.S MOTOR (INNER)	1	CWA981299	O
⚠	37	A.S MOTOR (OUTER)	1	CWA981241	O
	39	CONTROL BOARD COVER - COMPLETE	1	ACXH13C00150	
	40	REMOTE CONTROL COMPLETE	1	ACXA75C00270	O
	41	FRONT GRILLE COMPLETE	1	ACXE12K00120	
	42	INTAKE GRILLE COMPLETE	1	ACXE22K01110	
	43	GRILLE DOOR	1	CWE14C1090	
	44	AIR FILTER	2	CWD001279	
	45	SCREW - FRONT GRILLE	3	XTT4+16CFJ	
	46	CAP - FRONT GRILLE	2	ACXH52-00020	
	47	DRAIN HOSE	1	CWH851173	
	48	BAG COMPLETE - INSTALLATION SCREW	1	CWH82C1705	
	49	INSTALLATION PLATE	1	CWH361147	
	50	OPERATING INSTRUCTION	1	ACXF55-04930	
	51	OPERATING INSTRUCTION	1	ACXF55-04940	
	52	INSTALLATION INSTRUCTION	1	ACXF60-06430	
	53	INSTALLATION INSTRUCTION	1	ACXF60-06440	
	54	INSTALLATION INSTRUCTION	1	ACXF60-06450	
	55	INSTALLATION INSTRUCTION	1	ACXF60-06460	

SAFETY	REF. NO.	PART NAME & DESCRIPTION	QTY.	CS-MZ16TKE	REMARK
	56	INSTALLATION INSTRUCTION	1	ACXF60-06470	
	57	INSTALLATION INSTRUCTION	1	ACXF60-06480	
	58	INSTALLATION INSTRUCTION	1	ACXF60-06490	
	59	INSTALLATION INSTRUCTION	1	ACXF60-06500	
	60	INSTALLATION INSTRUCTION	1	ACXF60-06510	
	61	INSTALLATION INSTRUCTION	1	ACXF60-06520	
	62	INSTALLATION INSTRUCTION	1	ACXF60-06530	

(NOTE)

- All parts are supplied from PAPAMY, Malaysia (Vendor Code: 00029488).
- "O" marked parts are recommended to be kept in stock.